



**ECONOMIC**

**KITCHEN**

Change starts in the kitchen



**BOREAS  
DESIGN**

MEASURE, PROJECT AND IMPLEMENT

QUALITY - PRACTICAL - ECONOMIC - FAST

01





# WHO WE ARE?

Our company produces and assembles kitchen cabinets and bathroom cabinets. Our company, which is the leader in this branch, has succeeded in gaining the trust of end consumer or entrepreneur companies with its managers and technical team, who adopt quality management as a lifestyle and approach the issues professionally, specialized in their business. In our working area, we are ready to meet and assist for the commercial and technical issues that you may require in your projects.



## OUR MISSION

Our mission is to create value for our customers through reliability and innovation, and to be the most successful furniture company in the industry in providing the best customer experience.



## OUR VISION

Our vision is to provide value for money and comfort, to meet the expectations of the customers with the highest quality, first quality designs, and to be an international manufacturer that can provide innovative, high-quality products.



## BASIC VALUES

**Innovation:** Forward thinking, planning and expanding our horizons. **Quality:** We want to create services and products that we are proud to stand behind. **Teamwork:** From the supplier to our valued customer, we all succeed together. **Customer satisfaction:** We develop relationships that make a positive difference in our lives. **Happiness:** Creating a better daily life for many people. **Company's liability :** We are all responsible for meeting our commitments and integrity (corporate liability)

# PRO

# DUC

# TS

**06-36** 300 CM KITCHEN

**38-68** 250 CM KITCHEN

**70-100** 200 CM KITCHEN

**102-114** 150 CM KITCHEN

**116-122** 100 CM KITCHEN

**124-141** SINGLE MODULAR  
PRODUCTS

# BOREAS DESIGN





**300 CM**

ECONOMIC  
KITCHEN

# CEREN KITCHEN

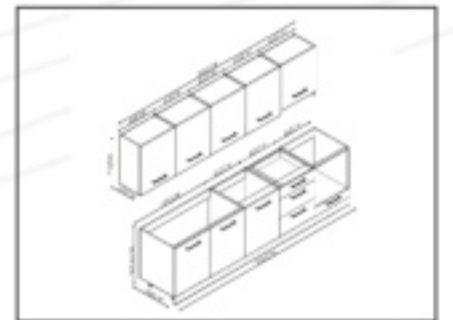
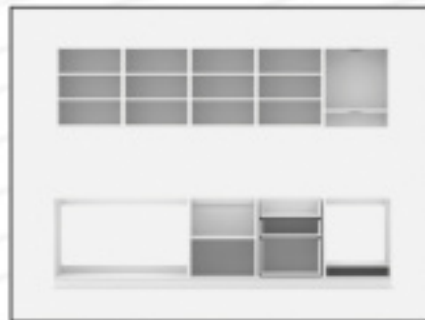


C E R E N   K I T C H E N

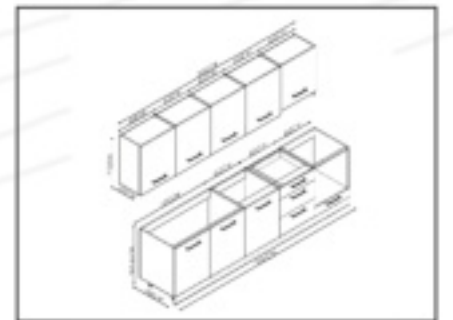
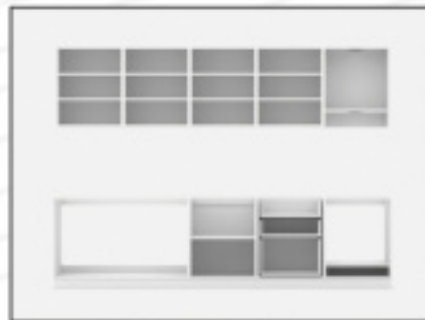




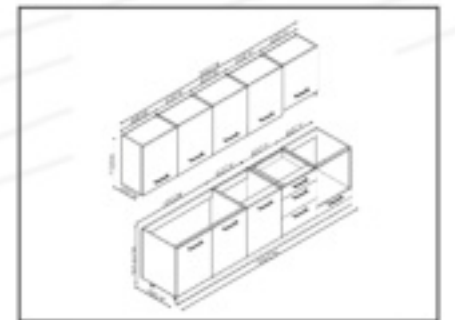
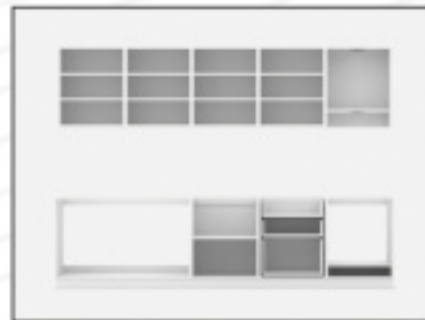
CEREN AA300M KITCHEN



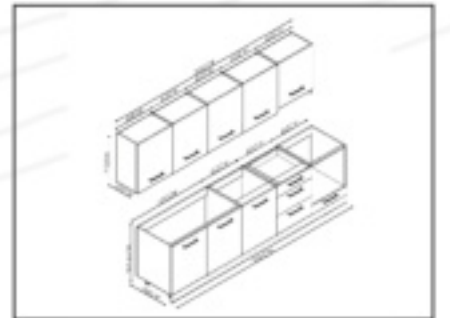
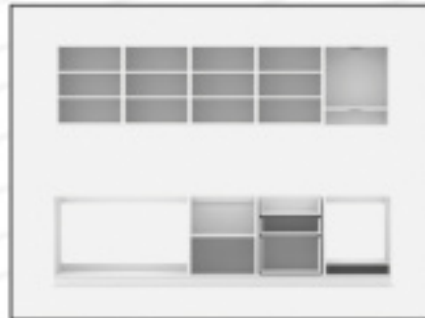
CEREN BB300M KITCHEN



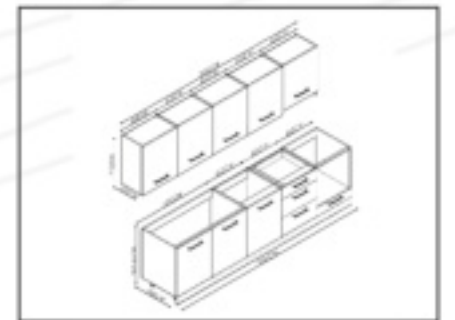
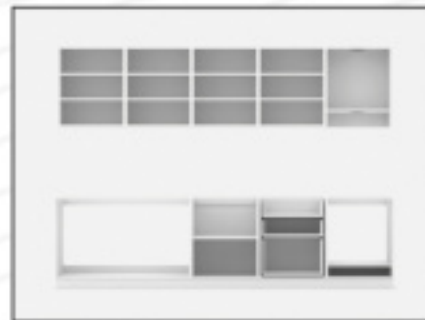
CEREN AB300M KITCHEN



CEREN SB300M KITCHEN



CEREN SS300M KITCHEN



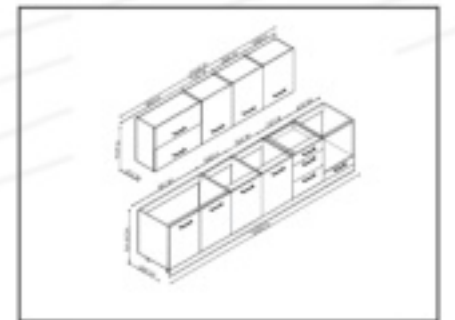
# WE BRA



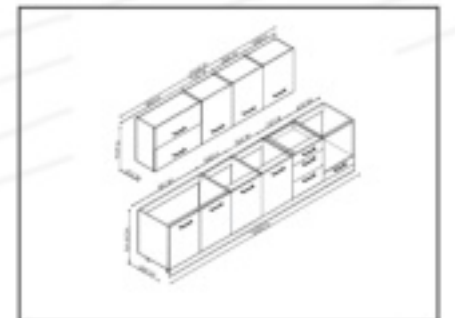
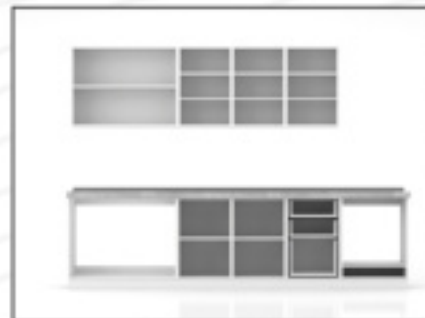
V E R A   K I T C H E N



VERA AA300M KITCHEN

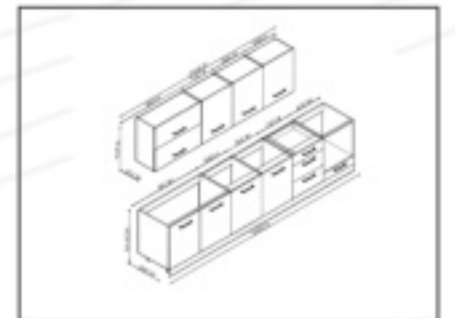


VERA BB300M KITCHEN

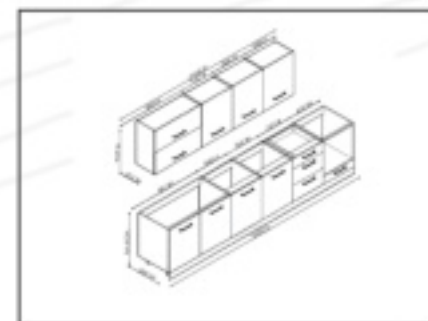
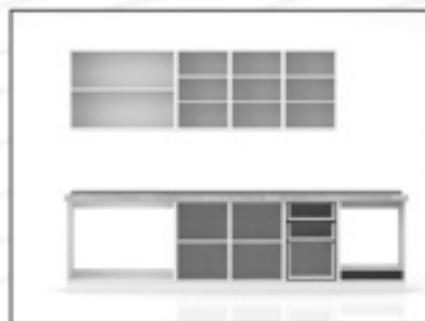




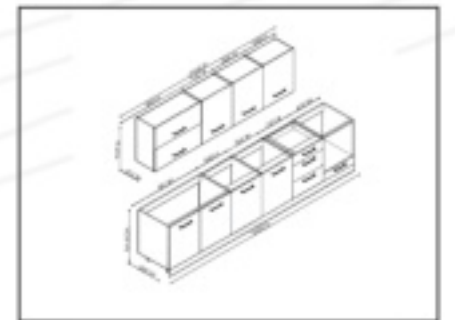
VERA AB300M KITCHEN



VERA SB300M KITCHEN



VERA SS300M KITCHEN



# ARDA

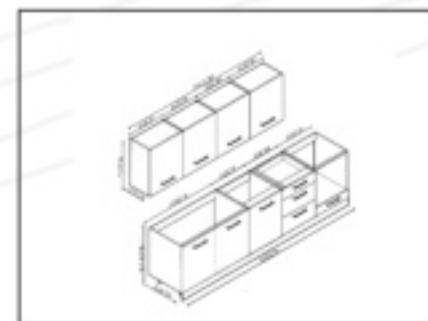
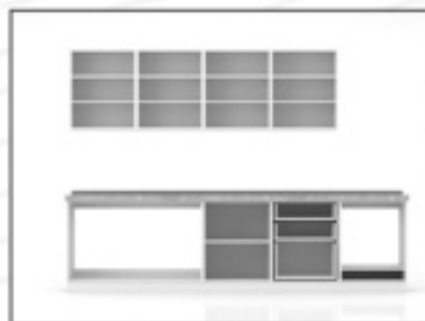


19

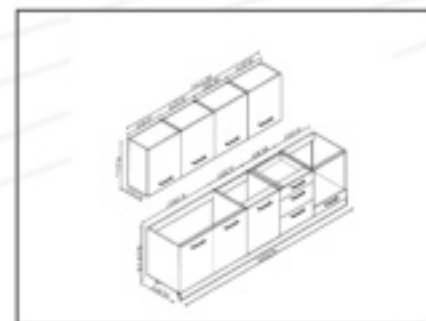
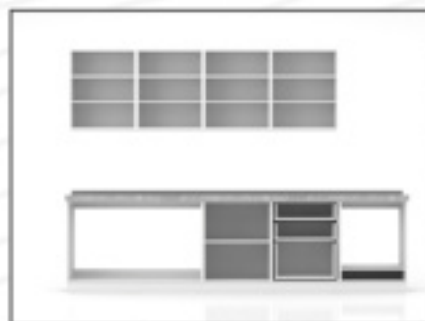
A R D A K I T C H E N



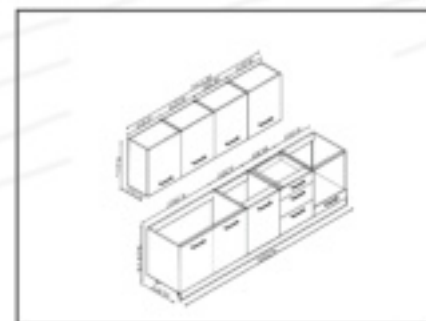
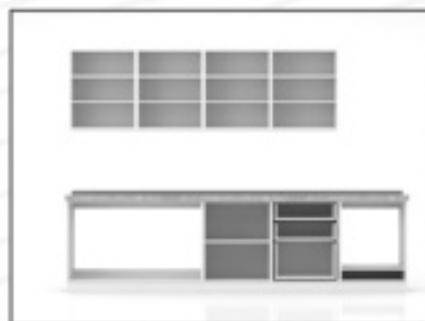
ARDA AA300M KITCHEN



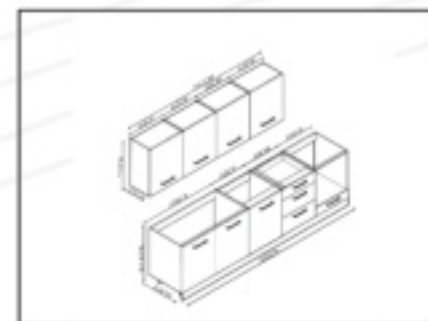
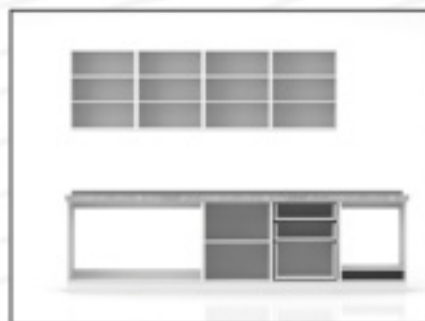
ARDA BB300M KITCHEN



ARDA AB300M KITCHEN

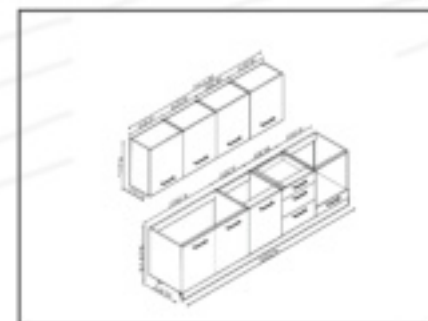
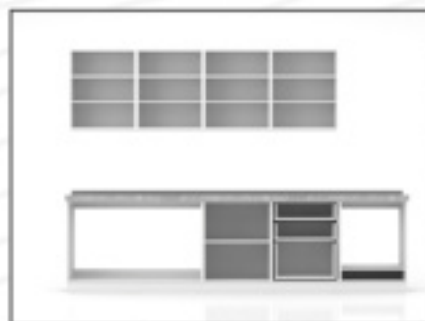


ARDA SB300M KITCHEN





ARDA SS300M KITCHEN



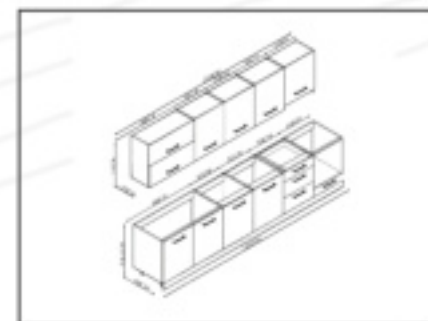
# DURU



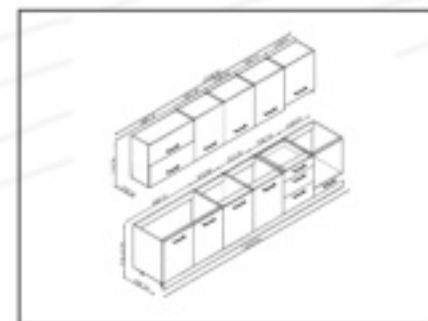
DURU KITCHEN



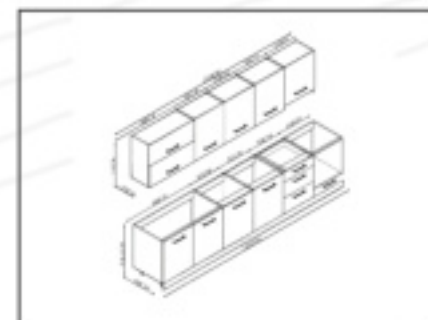
DURU AA300M KITCHEN



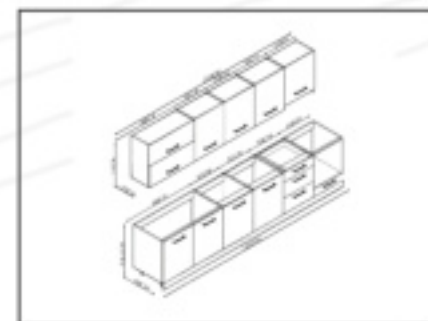
DURU AB300M KITCHEN



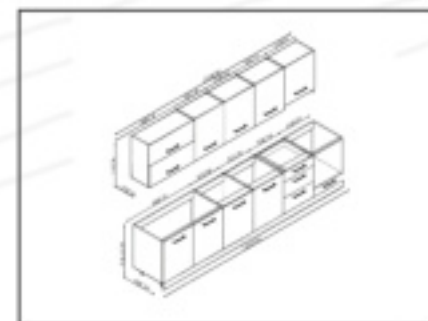
DURU BB300M KITCHEN



DURU SB300M KITCHEN



DURU SS300M KITCHEN



# BASIC



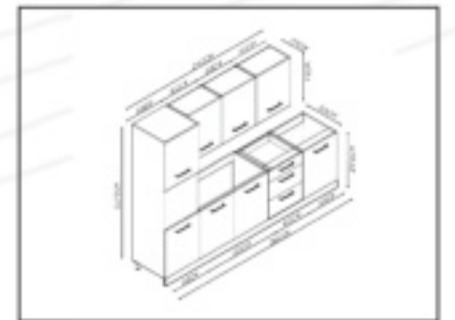
31

B A S I C   K I T C H E N

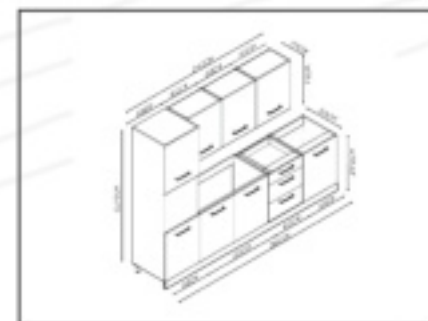
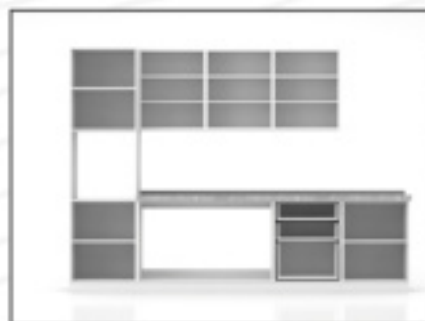




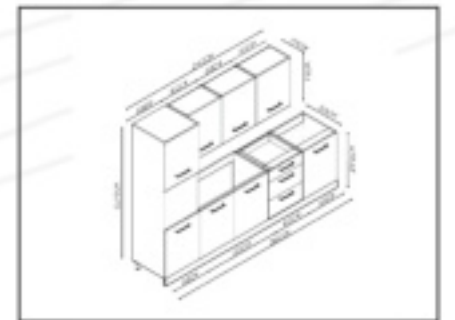
BASIC AA300M KITCHEN



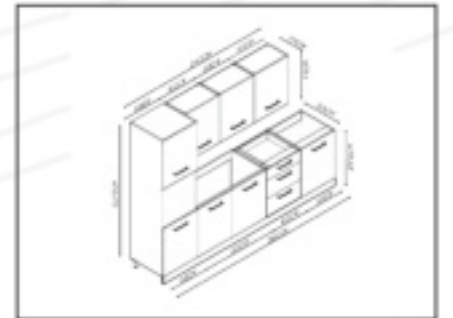
BASIC AB300M KITCHEN



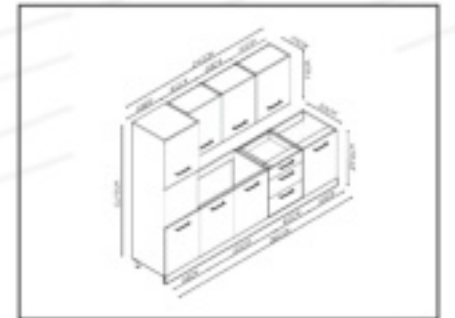
**BASIC BB300M KITCHEN**



BASIC SB300M KITCHEN



BASIC SS300M KITCHEN



# BOREAS DESIGN





**250 CM**

ECONOMIC  
KITCHEN

# DREAM KITCHEN

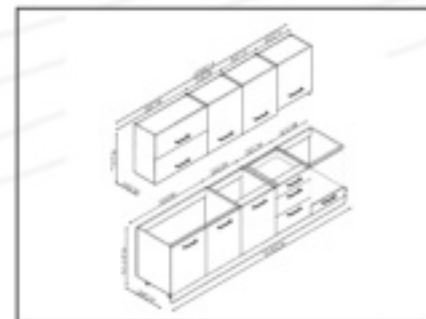
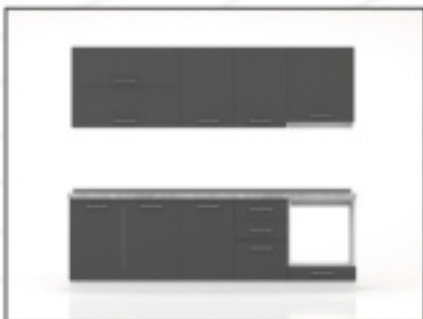


D R E A M   K I T C H E N

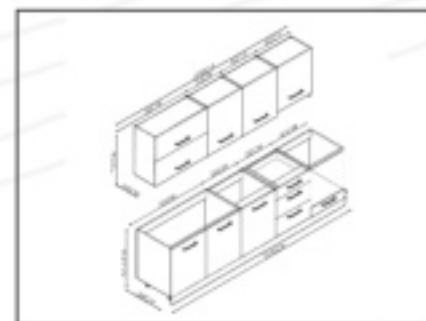




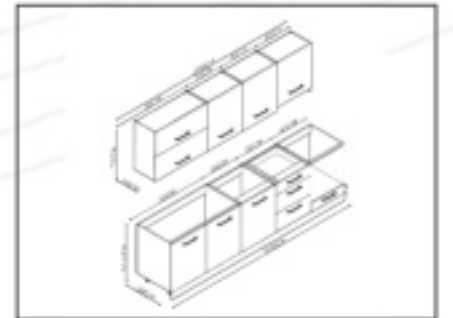
DREAM AA250M KITCHEN



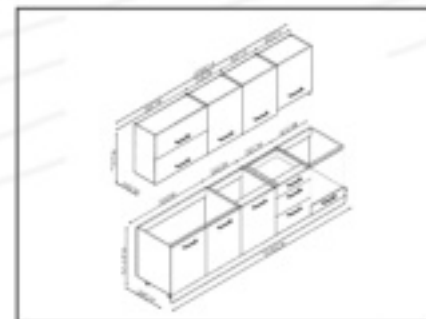
DREAM AB250M KITCHEN



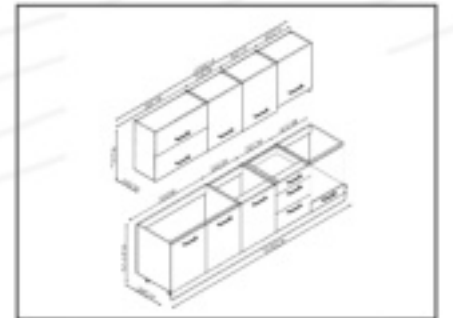
DREAM BB250M KITCHEN



DREAM SB250M KITCHEN



DREAM SS250M KITCHEN



# LOTUS

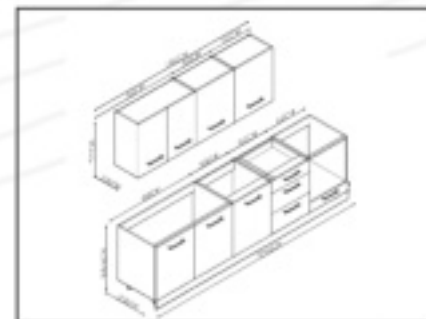


45

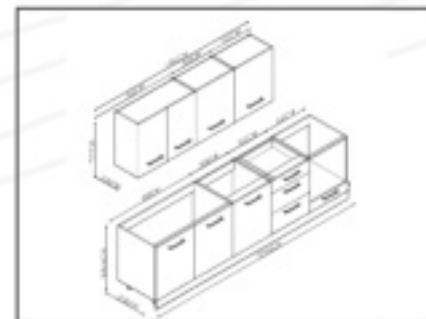
LOTUS KITCHEN



LOTUS AA250M KITCHEN

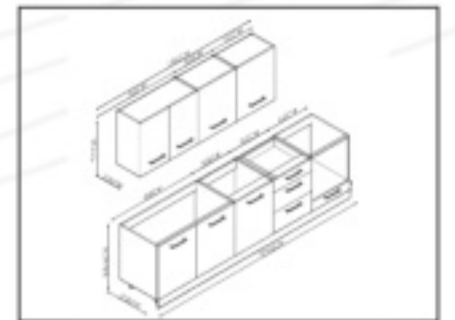


LOTUS AB250M KITCHEN

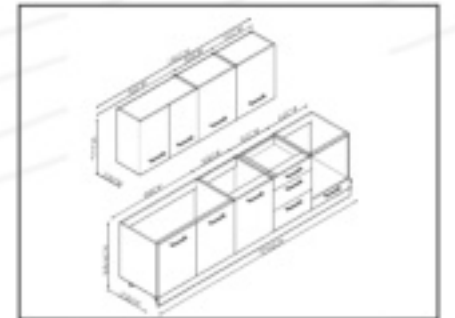




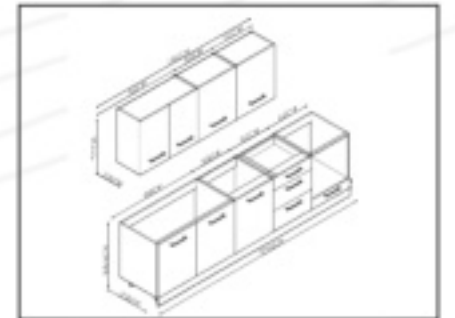
LOTUS BB250M KITCHEN



LOTUS SB250M KITCHEN



LOTUS SS250M KITCHEN



# RYA VYA

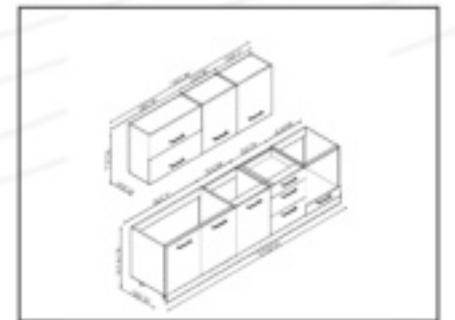
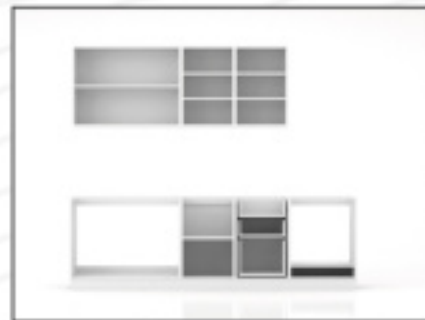


51

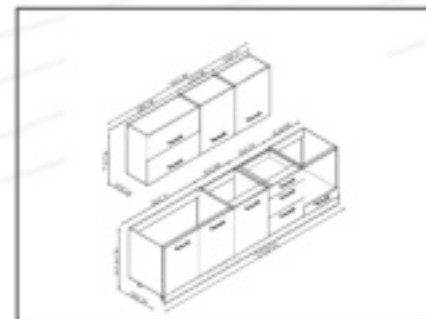
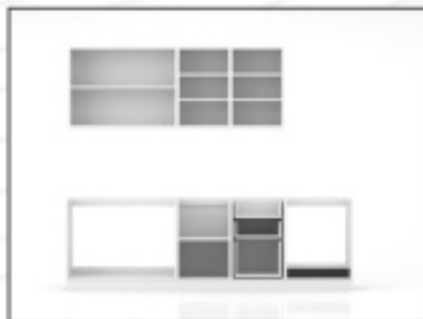
R O Y A K I T C H E N



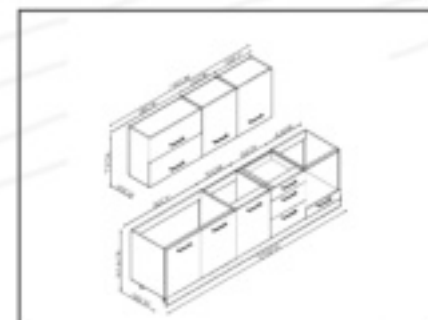
RÜYA AA250M KITCHEN



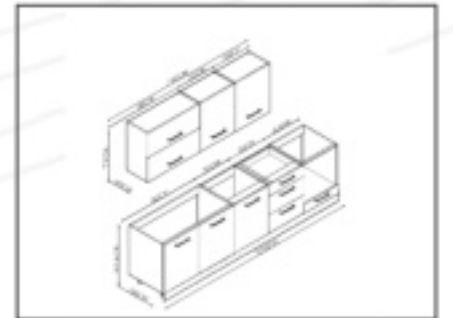
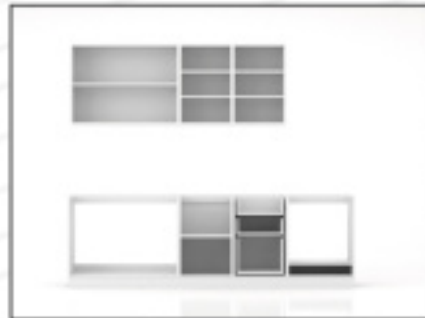
RÜYA AB250M KITCHEN



RÜYA BB250M KITCHEN

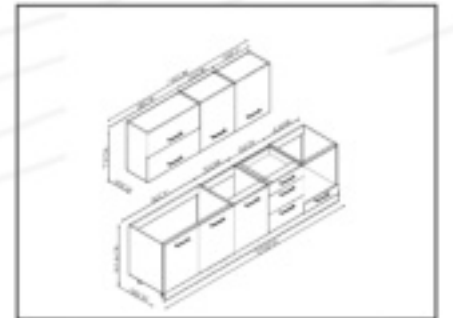
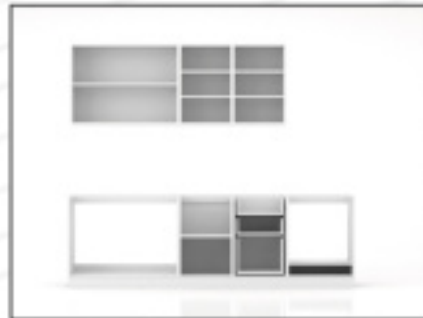


RÜYA SB250M KITCHEN





RÜYA SS250M KITCHEN



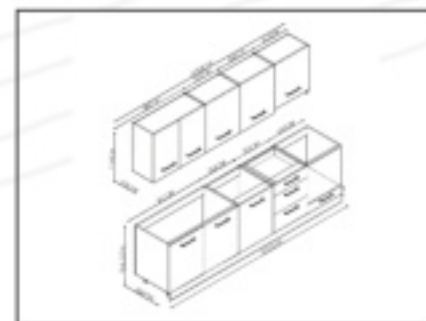
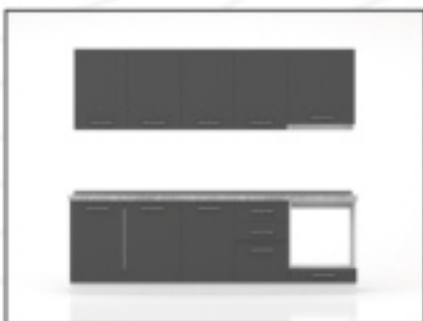
# SAKURURA



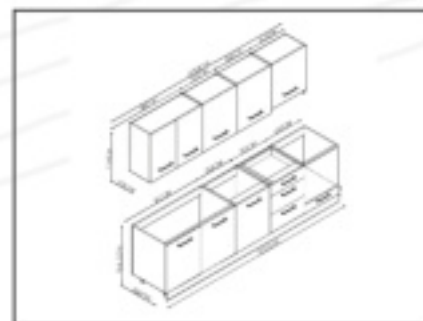
S A K U R A K I T C H E N



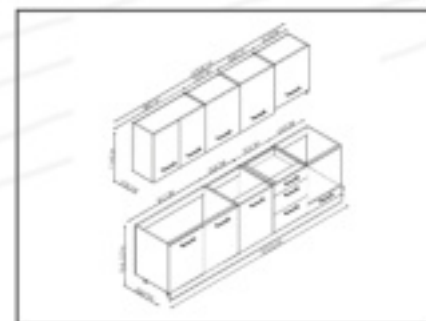
SAKURA AA250M KITCHEN



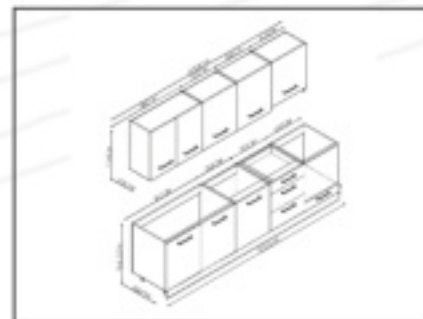
SAKURA AB250M KITCHEN



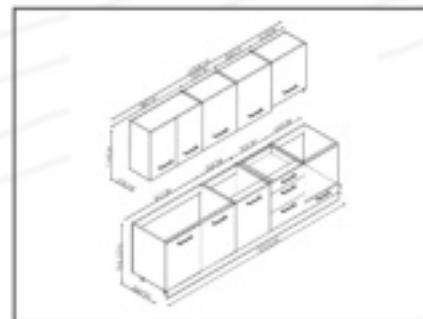
SAKURA BB250M KITCHEN



SAKURA SB250M KITCHEN



SAKURA SS250M KITCHEN



# STAR



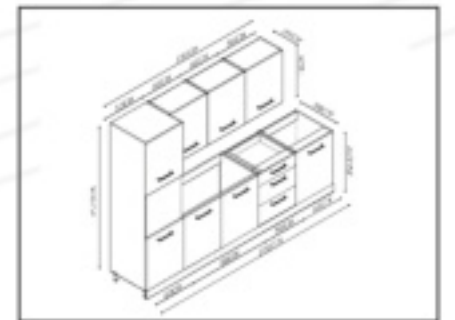
63

S T A R   K I T C H E N

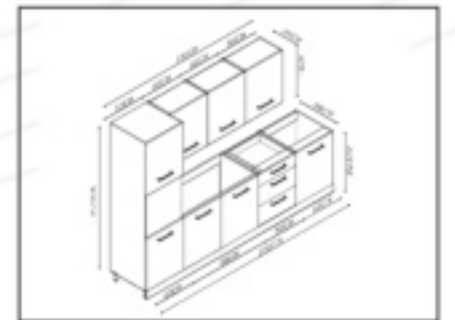




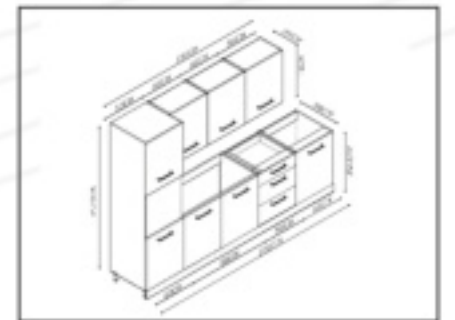
STAR AA250M KITCHEN



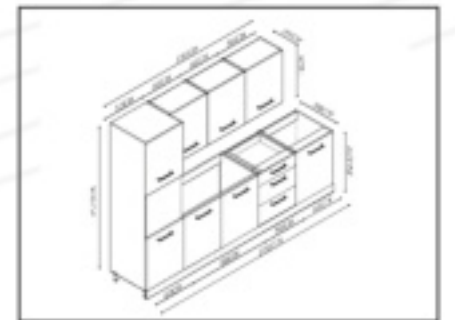
STAR AB250M KITCHEN



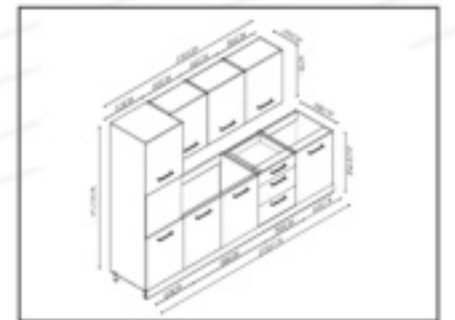
STAR BB250M KITCHEN



STAR SB250M KITCHEN



STAR SS250M KITCHEN



# BOREAS DESIGN





**200 CM**

ECONOMIC  
KITCHEN

# ВАЛ ВЯ

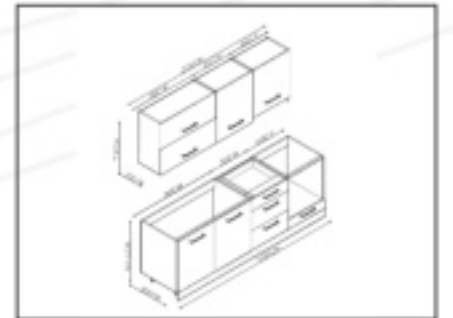


A L Y A K I T C H E N

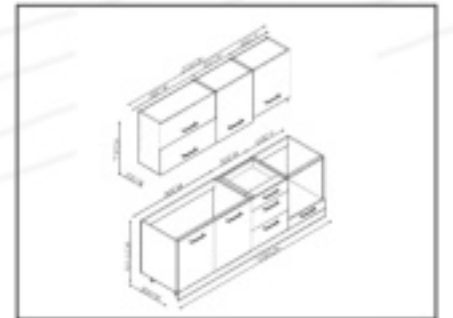




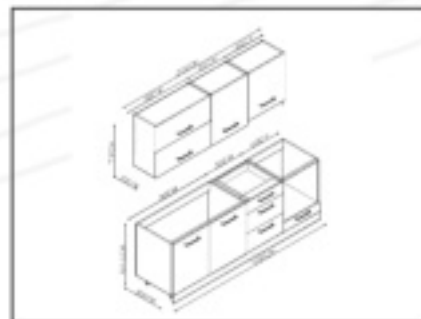
ALYA AA200M KITCHEN



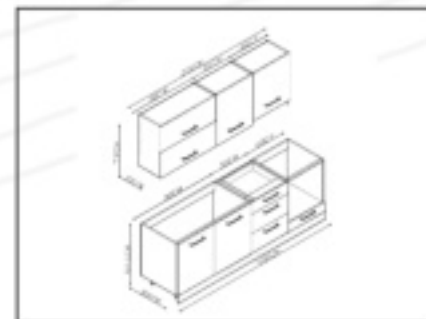
ALYA AB200M KITCHEN



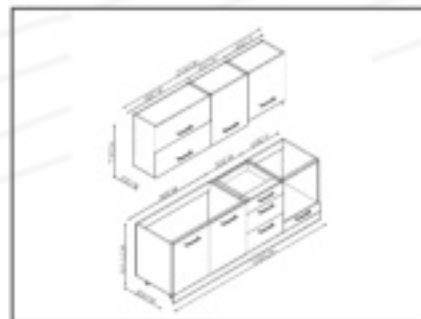
ALYA BB200M KITCHEN



ALYA SS200M KITCHEN



ALYA SB200M KITCHEN



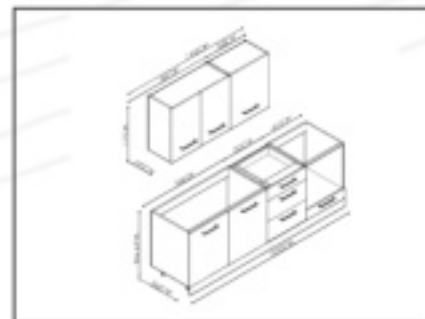
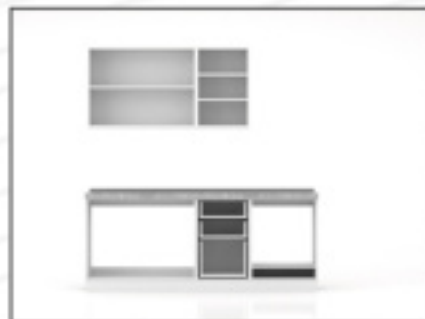
# DOOR ADOC



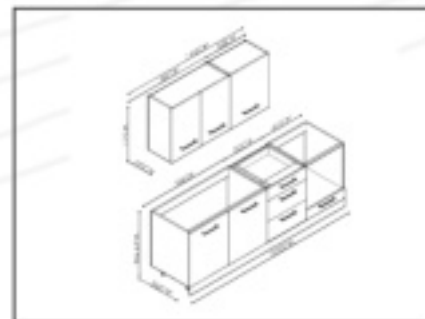
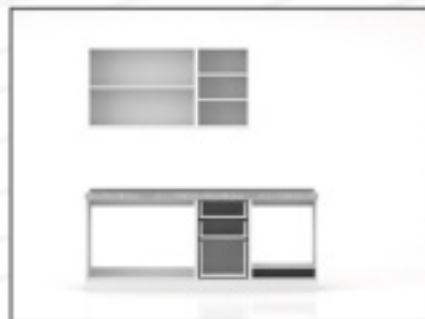
D O R A D O K I T C H E N



DORADO AA200M KITCHEN

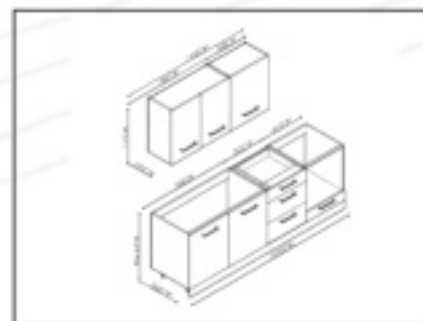
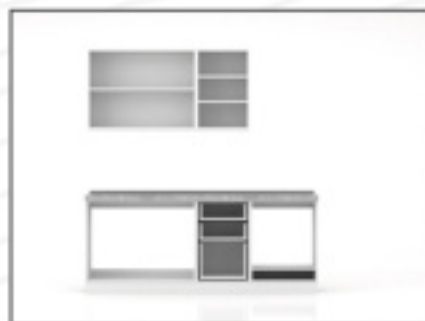


DORADO AB200M KITCHEN

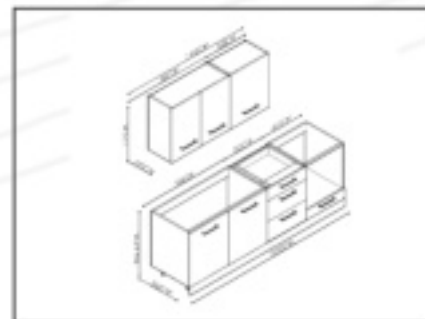
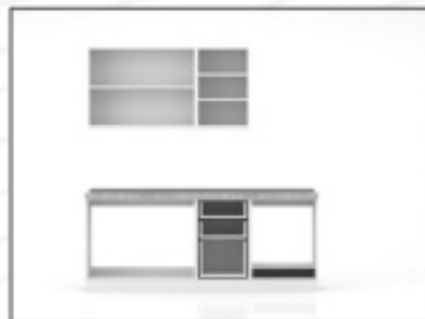




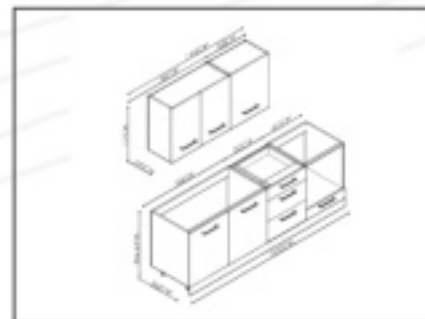
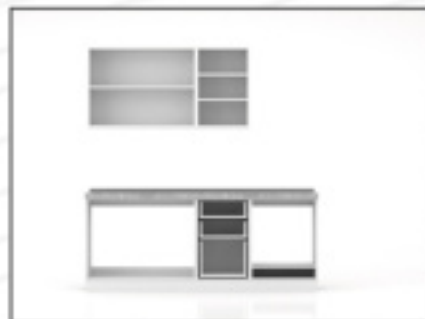
DORADO BB200M KITCHEN



DORADO SS200M KITCHEN



DORADO SB200M KITCHEN



# DO DRE

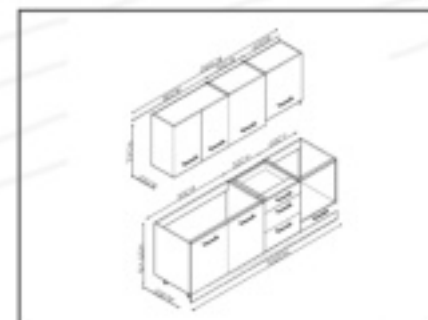


83

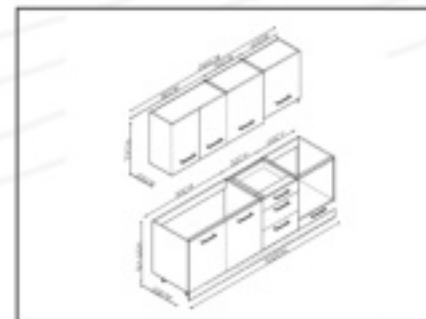
D O R E K I T C H E N



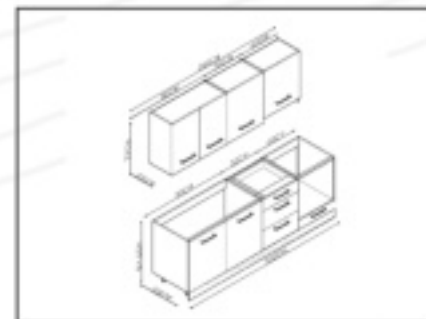
DORE AA200M KITCHEN



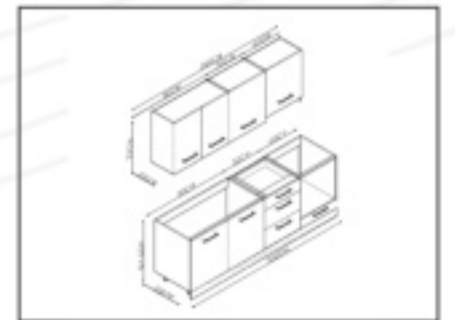
DORE AB200M KITCHEN



DORE BB200M KITCHEN

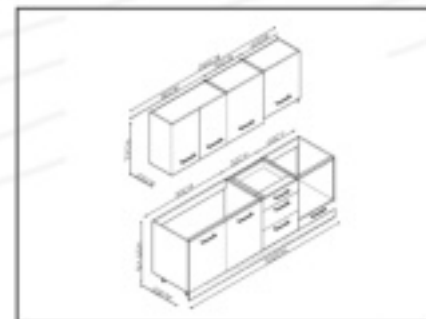


DORE SS200M KITCHEN





DORE SB200M KITCHEN



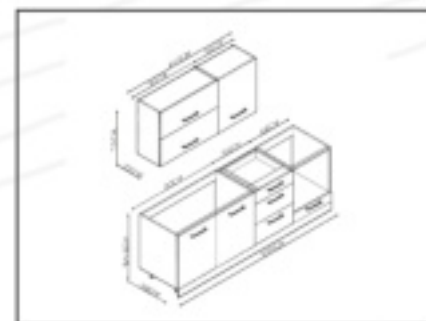
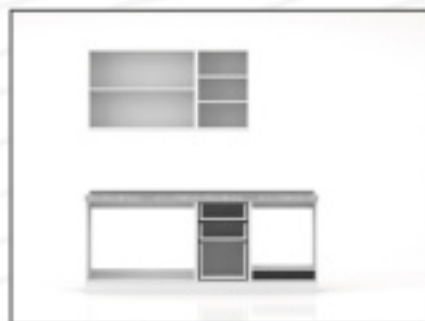
# MOON



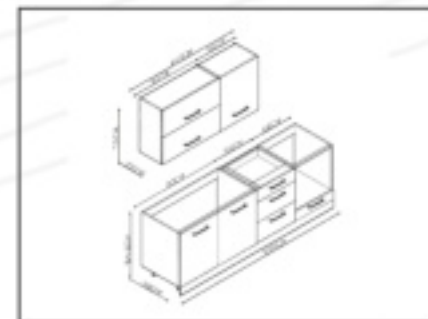
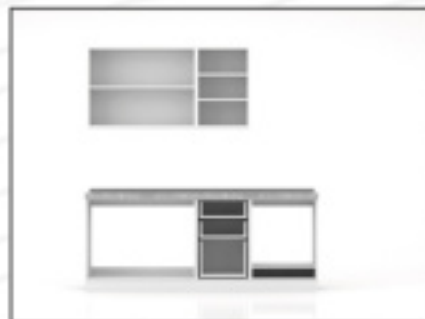
M O O N K I T C H E N



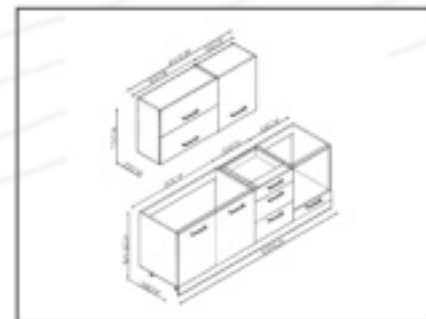
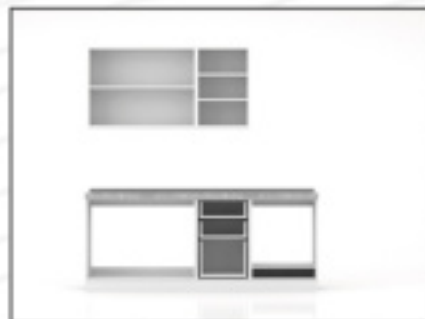
MOON AA200M KITCHEN



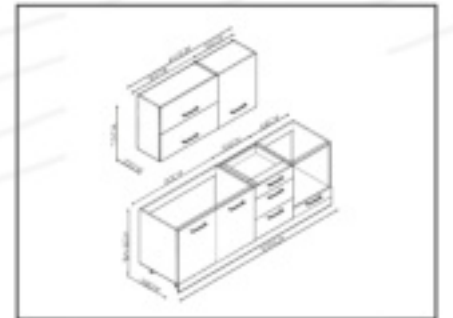
MOON AB200M KITCHEN



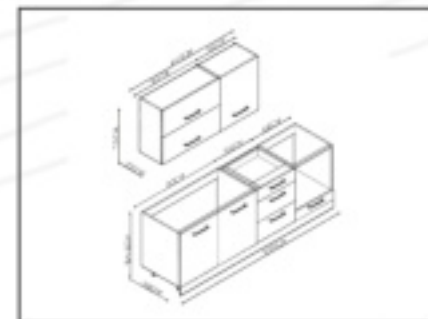
MOON BB200M KITCHEN



MOON SS200M KITCHEN



MOON SB200M KITCHEN



# WE GAGA



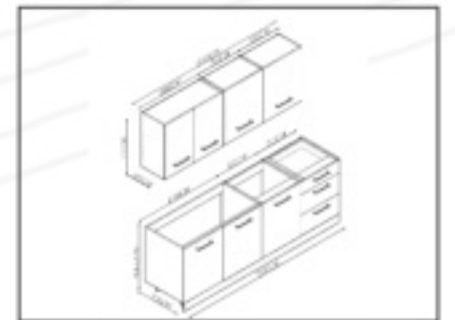
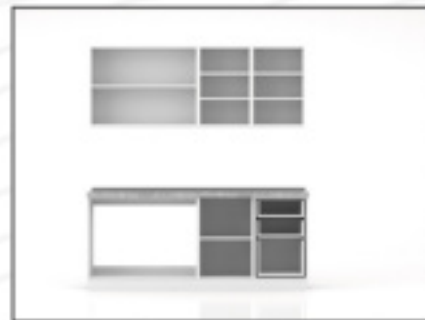
95

V E G A K I T C H E N





VEGA AA200M KITCHEN



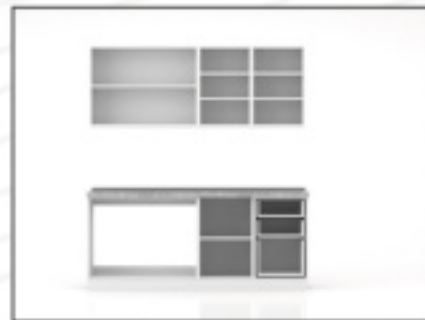
VEGA AB200M KITCHEN



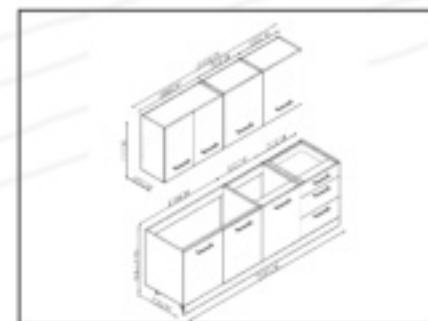
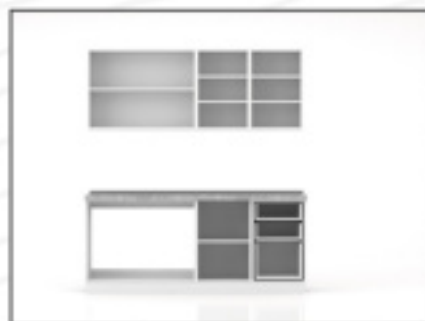
VEGA BB200M KITCHEN



VEGA SS200M KITCHEN



VEGA SB200M KITCHEN



# BOREAS DESIGN





**150 CM**

ECONOMIC  
KITCHEN

# KOTON

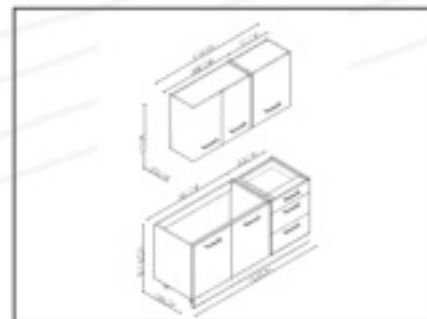


K O T O N   K I T C H E N

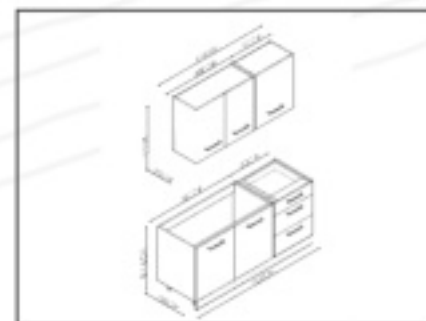
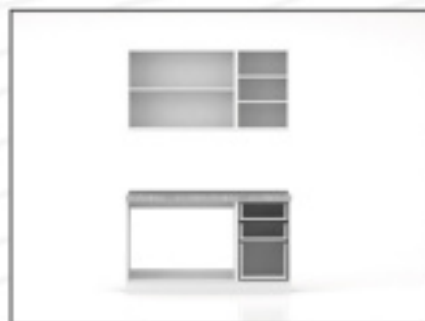




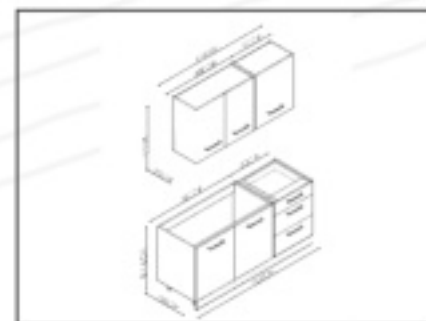
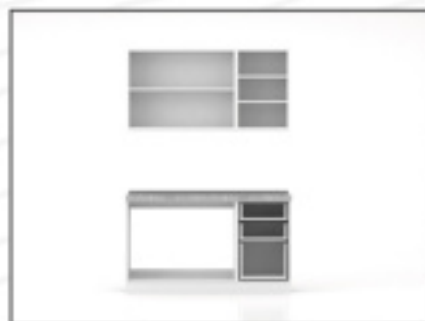
KOTON AA150M KITCHEN



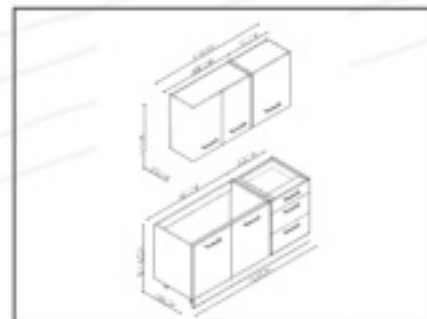
KOTON AB150M KITCHEN



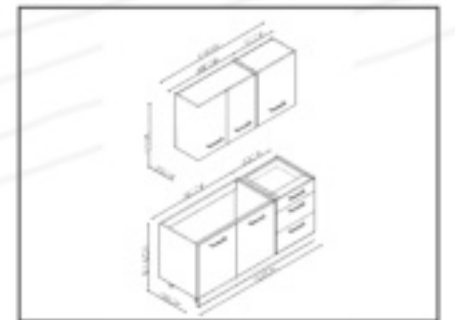
KOTON BB150M KITCHEN



KOTON SS150M KITCHEN



KOTON SB150M KITCHEN



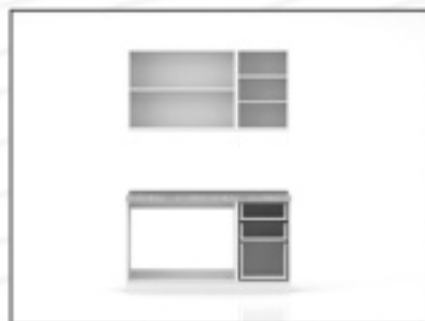
# MARMO



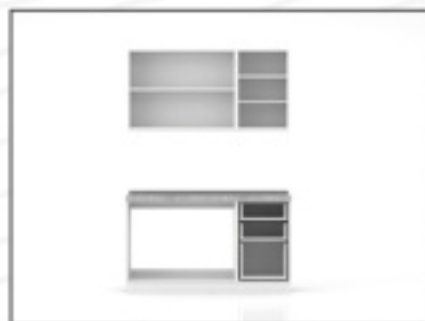
M A R M O K I T C H E N



MARMO AA150M KITCHEN

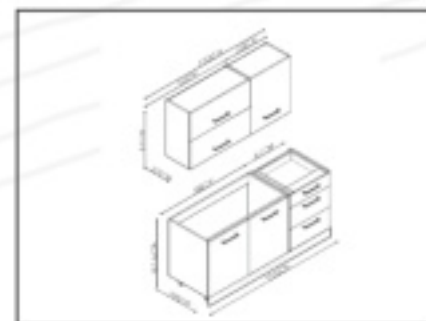
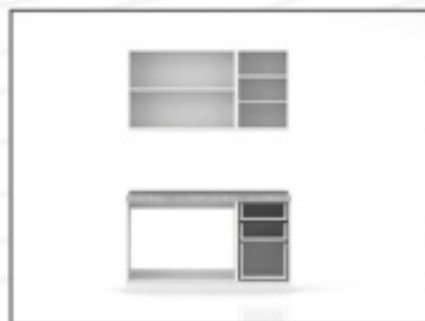


MARMO AB150M KITCHEN

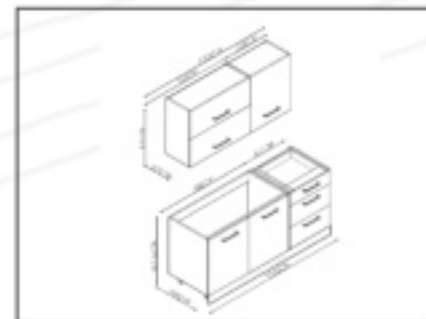
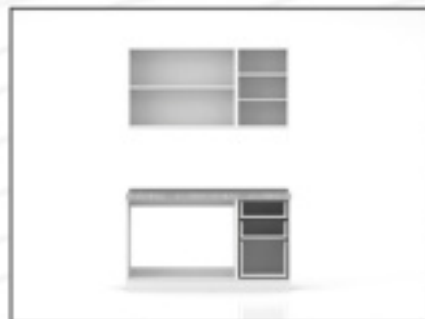




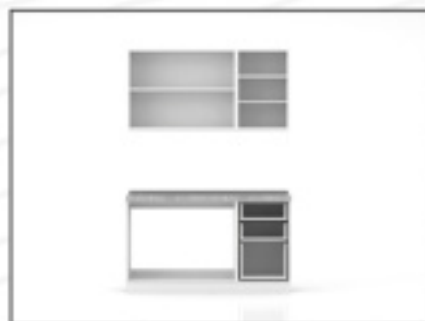
MARMO BB150M KITCHEN



MARMO SS150M KITCHEN



MARMO SB150M KITCHEN



# BOREAS DESIGN





**100 CM**

ECONOMIC  
KITCHEN

# EK SEN

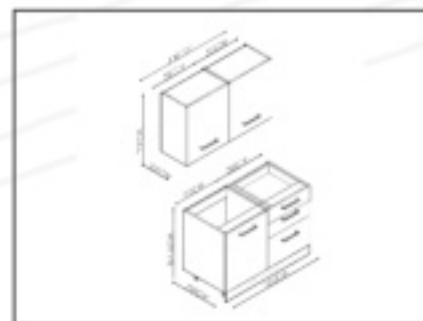
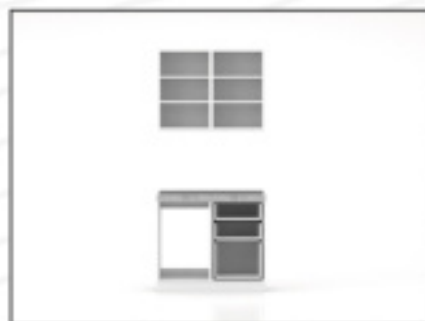


117

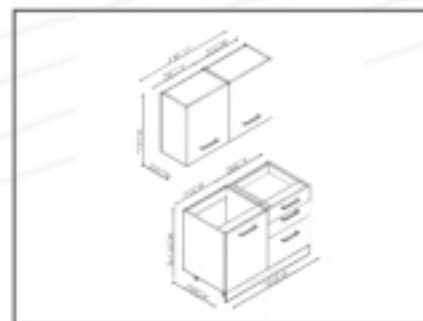
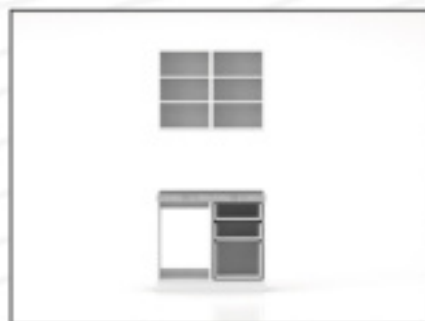
E K S E N   K I T C H E N



EKSEN AA100M KITCHEN

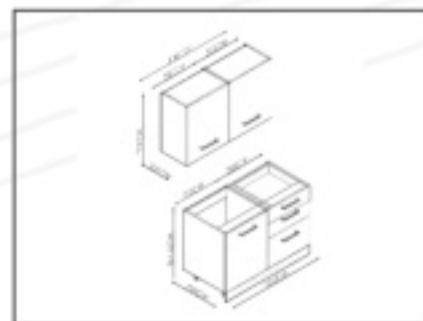
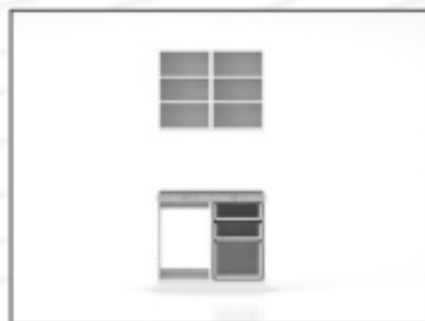


EKSEN AB100M KITCHEN

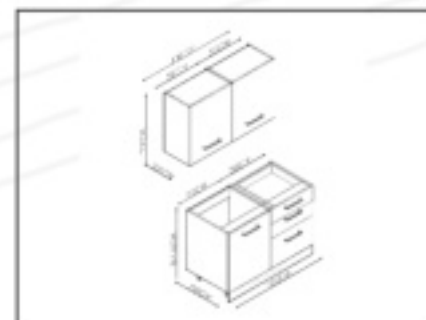
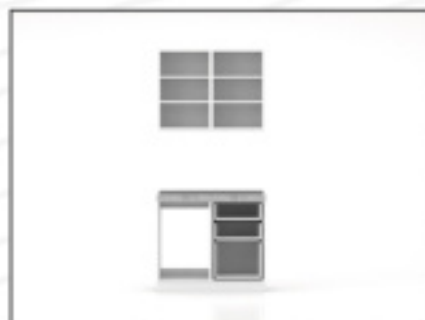




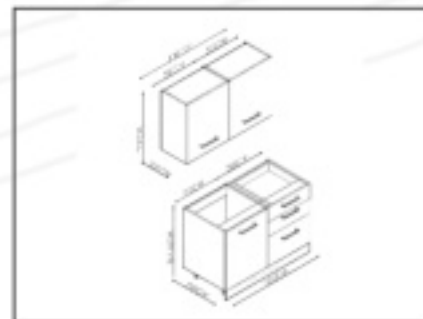
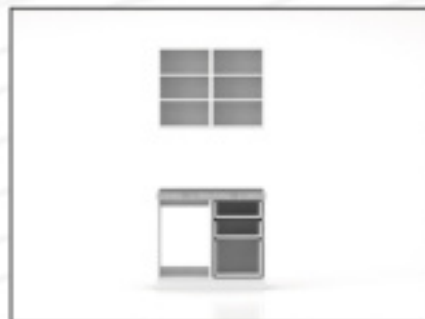
EKSEN BB100M KITCHEN



EKSEN SB100M KITCHEN



EKSEN SS100M KITCHEN



# BOREAS DESIGN





**SINGLE  
MODULAR**  

---

**PRODUCTS**

# BASE CABINET

B A S E C A B I N E T



6 0 C M



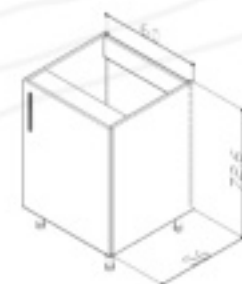
AD01-24-30-24-AA



AD01-24-30-24-BB



AD01-24-30-24-BB



8 0 C M



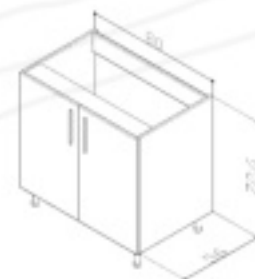
AD02-32-30-24-AA



AD02-32-30-24-BB



AD02-32-30-24-SS





1 0 0 C M



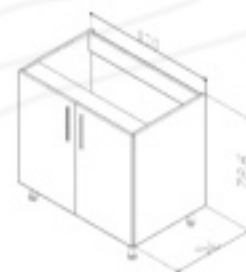
AD02-40-30-24-AA



AD02-40-30-24-BB



AD02-40-30-24-SS



# WALL CABINET

W A L L C A B I N E T



6 0 C M



UD01-24-30-13-AA



UD01-24-30-13-BB



UD01-24-30-13-SS



8 0 C M



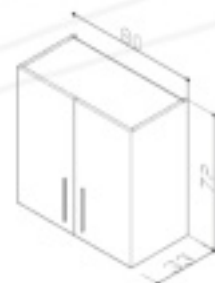
UD02-32-30-13-AA



UD02-32-30-13-BB



UD02-32-30-13-SS



# SINK BASE CABINET

S I N K B A S E C A B I N E T

8 0 C M



ED02-32-30-24-AA



ED02-32-30-24-BB



ED02-32-30-24-SS



# OWEN CABINET

O W E N C A B I N E T

6 0 C M



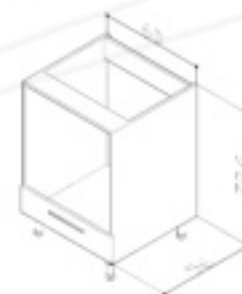
AFD01-24-30-24-AA



AFD01-24-30-24-BB



AFD01-24-30-24-SS





**TALL  
CABINET**

TALL CABINET

6 0 C M



BD01-24-80-24-AA



BD01-24-80-24-BB



BD01-24-80-24-SS



6 0 C M



BD03-24-80-24-AA



BD03-24-80-24-BB



BD03-24-80-24-SS



**BUILT-IN OWEN  
MICROWAVE  
CABINET**

B A S E C A B I N E T



6 0 C M



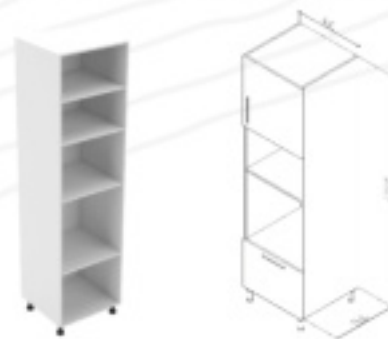
BMFD01-24-80-24-AA



BMFD01-24-80-24-BB



BMFD01-24-80-24-SS



6 0 C M



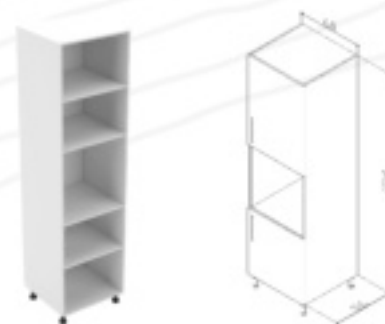
BFD01H-24-86-24-AA



BFD01H-24-86-24-BB



BFD01H-24-86-24-SS



T. +90 286 218 05 10  
www.boreasfurniture.com  
info@boreasfurniture.com

QUALITY - PRACTICAL - ECONOMIC - FAST



**BOREAS  
DESIGN**

MEASURE, PROJECT AND IMPLEMENT

 boreasdesign  
 boreasdesign